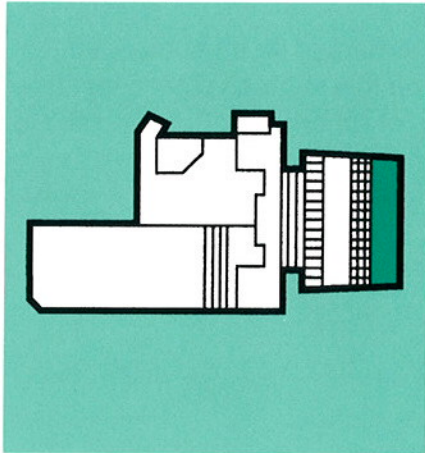
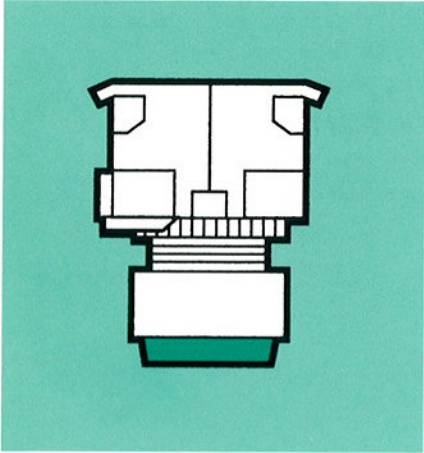


FUJI COMMAND SWITCHES REPLACEMENT MANUAL

R series AR22, DR22

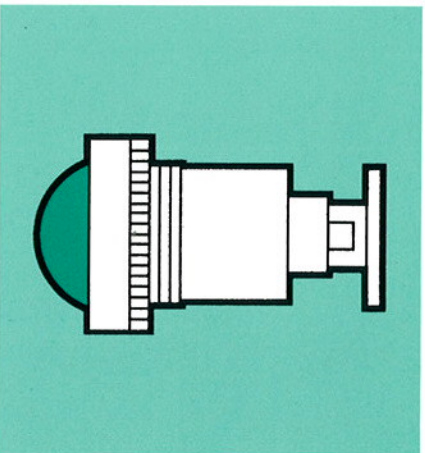
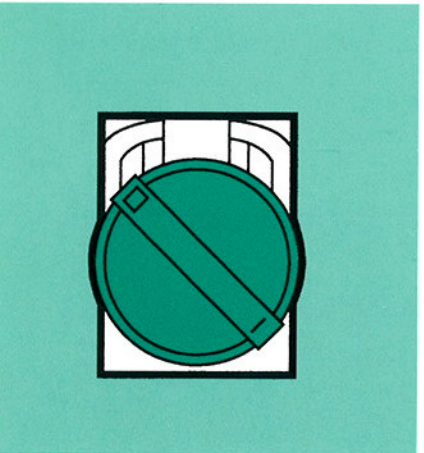
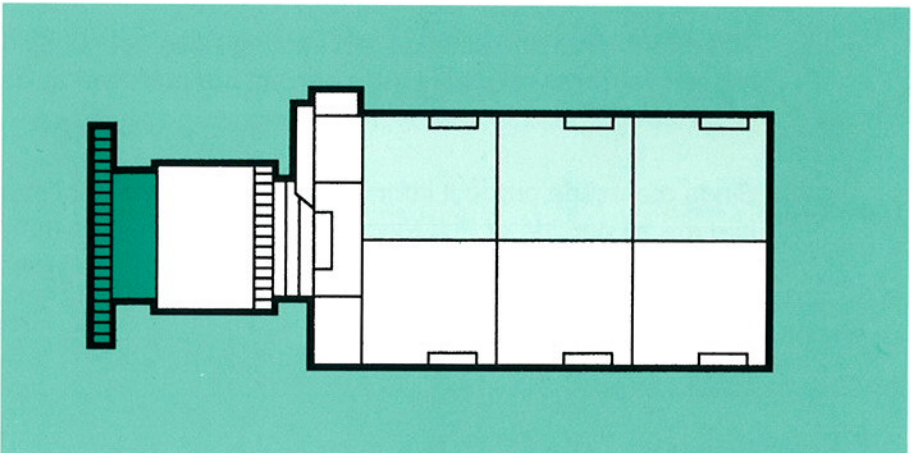


22mm dia.
7/8 inch

25mm dia.
1 inch

**Illuminated
Pushbutton
Switches**

**Pushbutton
Switches**



**Selector
Switches**

**Pilot
Lights**

COLOR BUTTON AND CONTACT BLOCK REPLACEMENT PROCEDURE

The procedure should be performed by an authorized Fuji distributor only. If you have any questions on this manual, please feel free to contact either FECOA (Fuji Electric Corp. of America) or Fuji Electric Co., Ltd. in Japan.

CATALOG DISCLAIMER

The information contained in this catalog does not constitute an express or implied warranty of quality. Any warranty of merchantability or fitness for a particular purpose is hereby disclaimed.

Since the user's product information, specific use application, and conditions of use are all outside of Fuji Electric's control, it shall be the responsibility of the user to determine the suitability of any of the products mentioned for the user's specific application.

COMPONENT PARTS

Illuminated pushbutton switch and pushbutton switch Page 4

Selector switch and pilot light 5

REPLACING OPERATOR / INDICATOR

AR22F0L, F5L, F0P, F5P, E0L, E5L, E0P, E5P, G4L, G9L 6

AR22M0L, M5L, M4L, M4P 8

AR22E0M, E5M 10

AR22F0R, F5R, F0Y, F5Y, E0R, E5R, G3R, G8R, E0Y, E5Y, S1R, S2R, S3R, S6R 12

AR22M0R, M5R, M3R, M4R, M4Y 14

AR22F0S, F5S, E0S, E5S 16

AR22Q2R 18

AR22PL, PP 20

AR22PR, PY, WR, WY, RR, RY, PCR, PCY, WCR, WCY, RCR, RCY 22

DR22D0L 24

DR22E3L, E3P 26

DR22F3M, E3M 28

DR22F4M 30

REPLACING CONTACT BLOCKS 32

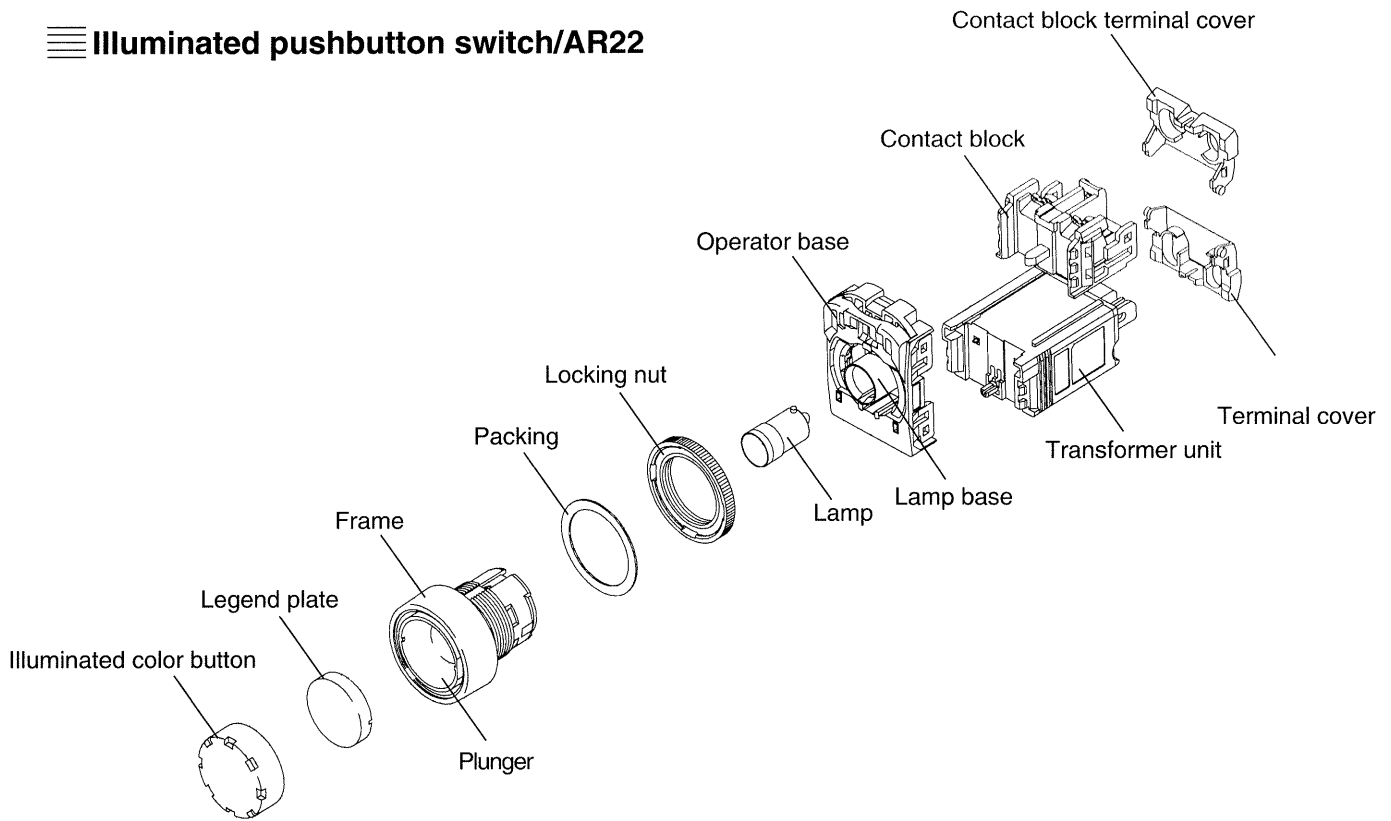
CONTACT BLOCK ARRANGEMENT 33

- 1
- 2
- 3
- 4
- 5
- 6
- 7
- 8
- 9
- 10
- 11
- 12
- 13
- 14
- 15

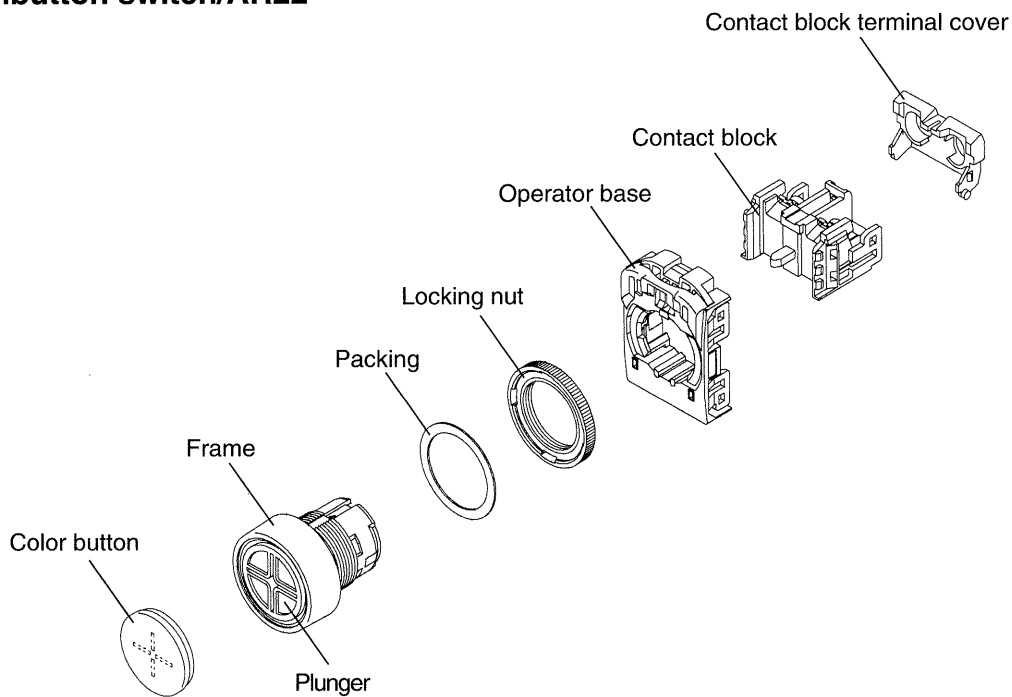
Type	Replacing operator	Replacing contact block	Contact block arrangement	
Illuminated pushbuttons, pushbuttons and selector switches				
AR22E0L	Illuminated, extended round head	Page 6	Page 32	Page 33, 35
AR22E0M	Illuminated, extended square head	10	32	33, 35
AR22E0P	Illuminated, extended round head with square frame	6	32	33, 35
AR22E0R	Extended round head	12	32	36
AR22E0S	Extended square head	16	32	36
AR22E0Y	Extended round head with square frame	12	32	36
AR22E5L	Illuminated, extended round head, alternate action	6	32	34, 35
AR22E5M	Illuminated, extended square head, alternate action	10	32	34, 35
AR22E5P	Illuminated, extended round head with square frame, alternate	6	32	34, 35
AR22E5R	Extended round head, alternate action	12	32	37
AR22E5S	Extended square head, alternate action	16	32	37
AR22E5Y	Extended round head with square frame, alternate action	12	32	37
AR22F0L	Illuminated, flush round head	6	32	33, 35
AR22F0P	Illuminated, flush round head with square frame	6	32	33, 35
AR22F0R	Flush round head	12	32	36
AR22F0S	Flush square head	16	32	36
AR22F0Y	Flush round head with square frame	12	32	36
AR22F5L	Illuminated, flush round head, alternate action	6	32	34, 35
AR22F5P	Illuminated, flush round head with square frame, alternate	6	32	34, 35
AR22F5R	Flush round head, alternate action	12	32	37
AR22F5S	Flush square head, alternate action	16	32	37
AR22F5Y	Flush round head with square frame, alternate action	12	32	37
AR22G4L	Illuminated, round head with guard ring	6	32	33, 35
AR22G9L	Illuminated, round head with guard ring, alternate	6	32	34, 35
AR22G3R	Round head with guard ring	12	32	36
AR22G8R	Round head with guard ring, alternate action	12	32	37
AR22JR	Cylinder key operated	–	32	38, 40
AR22JY	Cylinder key operated with square frame	–	32	38, 40
AR22M0L	Illuminated, mushroom head / ø40	8	32	33, 35
AR22M0R	Mushroom head / ø40	14	32	36
AR22M3R	Mushroom head with guard ring / ø40	14	32	36
AR22M4L	Illuminated, mushroom head / ø29	8	32	33, 35
AR22M4P	Illuminated, mushroom head with square frame / ø29	8	32	33, 35

Type	Replacing operator / indicator	Replacing contact block	Contact block arrangement
AR22M4R Mushroom head / \varnothing 29	Page 14	Page 32	Page 36
AR22M4Y Mushroom head with square frame / \varnothing 29	14	32	36
AR22M5L Illuminated, mushroom head / \varnothing 40, alternate action	8	32	34, 35
AR22M5R Mushroom head / \varnothing 40, alternate action	14	32	37
AR22PCR Knob operated, control type	22	—	—
AR22PCY Knob operated with square frame, control type	22	—	—
AR22PL Illuminated, knob operated	20	32	38, 39, 40
AR22PP Illuminated, knob operated with square frame	20	32	38, 39, 40
AR22PR Knob operated	22	32	38, 40
AR22PY Knob operated with square frame	22	32	38, 40
AR22Q2R Push-pull head for emergency stop	18	32	37
AR22RCR Cylindrical knob, control type	22	—	—
AR22RCY Cylindrical knob with square frame, control type	22	—	—
AR22RR Cylindrical knob	22	32	38, 40
AR22RY Cylindrical knob with square frame	22	32	38, 40
AR22S1R Round head with selector ring, 2-position	12	32	38
AR22S2R Round head with selector ring, 2-position	12	32	38
AR22S3R Round head with selector ring, 2-position	12	32	38
AR22S6R Round head with selector ring, 2-position	12	32	38
AR22VAL Illuminated, push-lock for emergency stop	—	32	34, 35
AR22V2L Illuminated, push-lock for emergency stop	—	32	34, 35
AR22V2R Push-lock for emergency stop / \varnothing 40	—	32	37
AR22V4R Push-lock for emergency stop / \varnothing 29	—	32	37
AR22WCR Lever operated, control type	22	—	—
AR22WCY Lever operated with square frame, control type	22	—	—
AR22WR Lever operated with round frame	22	32	38, 40
AR22WY Lever operated with square frame	22	32	38, 40
Pilot lights			
DR22D0L Domed lens	24	—	—
DR22E3L Extended round lens	26	—	—
DR22E3M Extended square lens	28	—	—
DR22E3P Extended round lens with square frame	26	—	—
DR22F3M Flush square lens	28	—	—
DR22F4M Flush square transparent lens	30	—	—

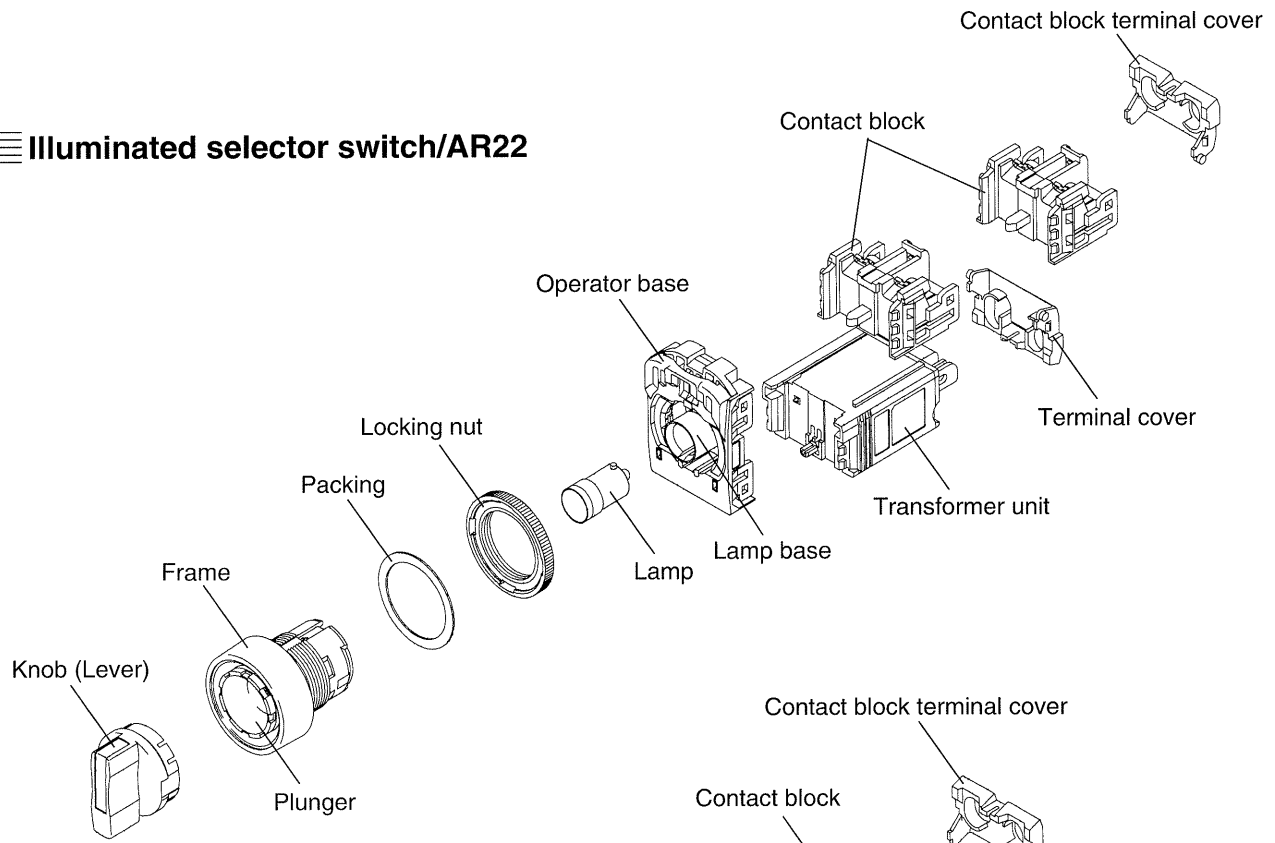
☰ Illuminated pushbutton switch/AR22



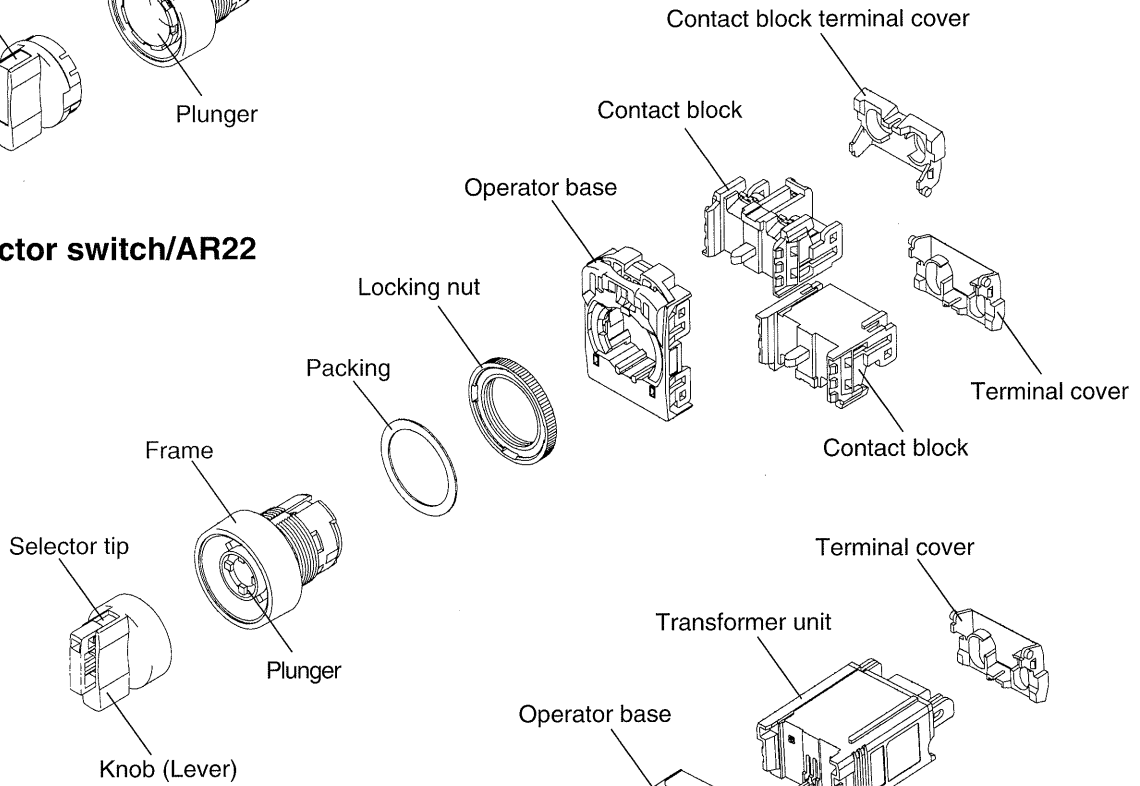
☰ Pushbutton switch/AR22



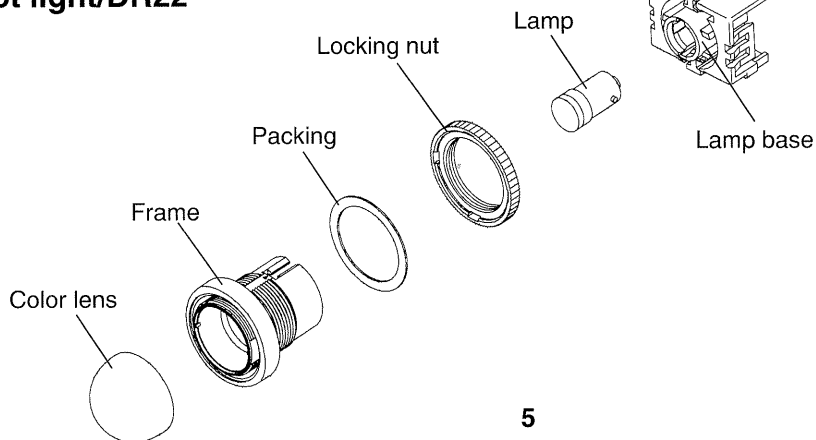
☰ **Illuminated selector switch/AR22**



☰ **Selector switch/AR22**



☰ **Pilot light/DR22**



AR22F0L

F5L/Alternate action

F0P

F5P/Alternate action

AR22E0L

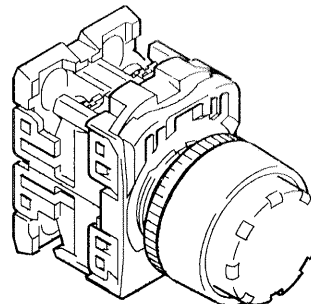
E5L/Alternate action

E0P

E5P/Alternate action

AR22G4L

G9L/Alternate action



Description	Type(Ordering code) <i>Fill in <input type="checkbox"/> <input checked="" type="checkbox"/> with color code</i>	Color code	Tool
Illuminated pushbutton switch	AR22F0L F5L F0P F5P	AR22E0L E5L E0P E5P G4L G9L	
Color button	AR9C011-<input type="checkbox"/>	AR9C012-<input type="checkbox"/>	Green G Red R Yellow Y Orange A Clear C Sky blue S*
LED lamp (BA9S/13)	6V AC 48mA 6V DC 56mA 12V AC/DC 34/28mA 24V AC/DC 18/14mA	DH9L510-A■ DH9L510-6■ DH9L510-B■ DH9L510-E■	Yellow Y Red R Red/green W Amber A
Contact block	AR9B290 (1NO/Blue) AR9B291 (1NC/Red)		AH9A004 AH9A790 AH9A321

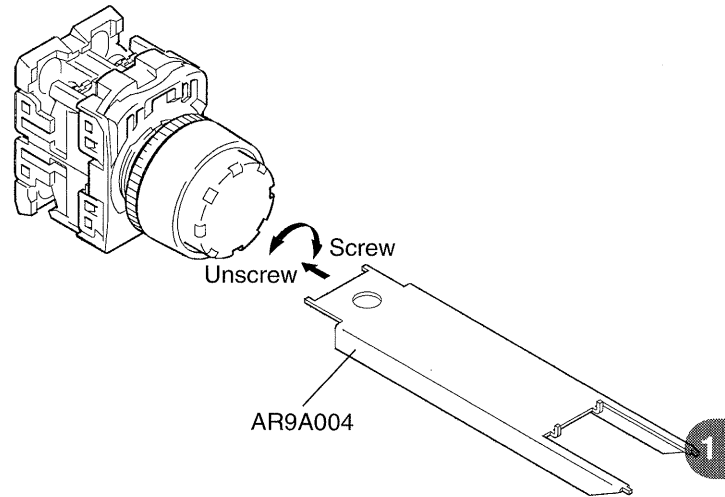
* Color button code **S (Sky blue)** for incandescent bulb only.

Combination of button color and LED lamp color

Luminous color (Type number code)	Color button <input type="checkbox"/>	LED lamp <input checked="" type="checkbox"/>
Green G	Green G	Yellow Y
Red R	Red R	Red R
Yellow Y	Yellow Y	Yellow Y
Orange A	Orange A	Amber A
White W	Clear C	Red/Green W

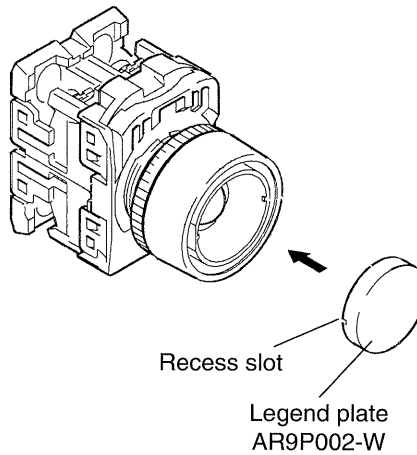
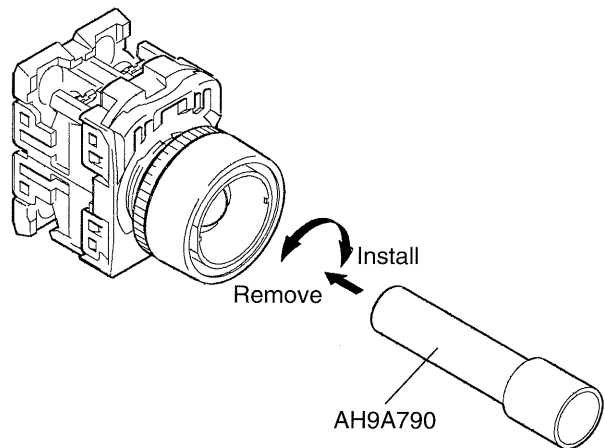
Replacing color button

1. Select the illuminated pushbutton to be modified.
2. Insert the teeth of tool AR9A004 into the grooves of the color button.
3. Remove the color button by unscrewing counterclockwise.
4. Screw the new color button onto the plunger, turning clockwise.



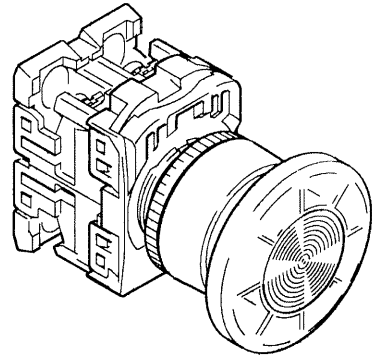
Replacing LED lamp

1. Remove the legend plate AR9P002-W from the plunger.
2. Insert the tip of tool AH9A790 onto the LED lamp.
3. Remove the LED lamp, turning the tool counterclockwise.
4. Place the new LED lamp into the lamp base, turning the tool clockwise.
5. Put the legend plate onto the plunger, fitting its recess slot to projections of plunger.



AR22M0L
M5L/Alternate action

AR22M4L
M4P



Description	Type(Ordering code)	Fill in <input type="checkbox"/> <input type="checkbox"/> with color code	Color code	Tool
Illuminated pushbutton switch	AR22M0L M5L	AR22M4L M4P		
Color button	AR9C016-□	AR9C015-□	Green Red Yellow Orange Clear Sky blue	G R Y A C S*
LED lamp (BA9S/13)	6V AC 48mA 6V DC 56mA 12V AC/DC 34/28mA 24V AC/DC 18/14mA	DH9L510-A■ DH9L510-6■ DH9L510-B■ DH9L510-E■	Yellow Red Red/green Amber	Y R W A
Contact block	AR9B290 (1NO/Blue) AR9B291 (1NC/Red)			AH9A790 AH9A321

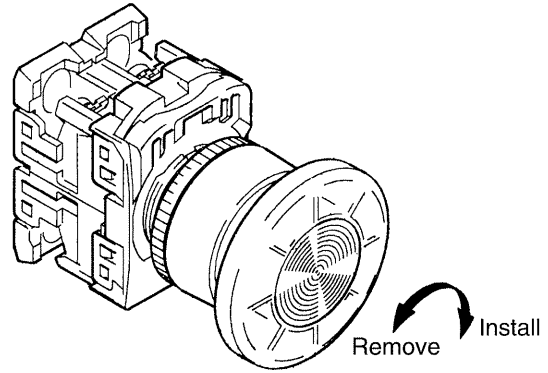
* Color button code **S (Sky blue)** for incandescent bulb only.

Combination of button color and LED lamp color

Luminous color (Type number code)	Color button <input type="checkbox"/>	LED lamp <input checked="" type="checkbox"/>
Green G	Green G	Yellow Y
Red R	Red R	Red R
Yellow Y	Yellow Y	Yellow Y
Orange A	Orange A	Amber A
White W	White W	Red/Green W

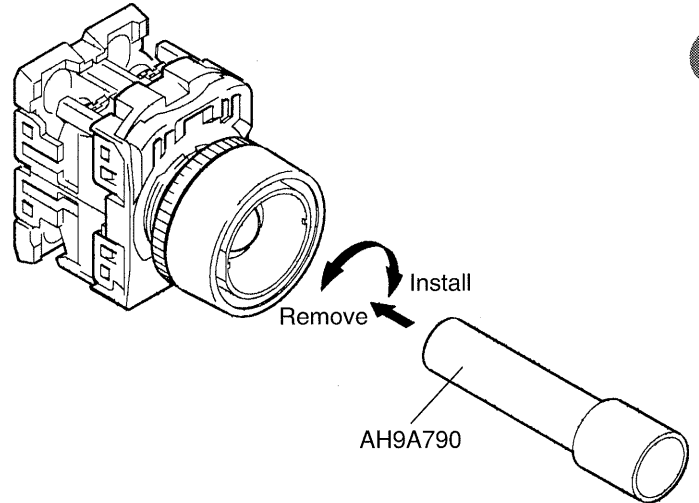
Replacing color button

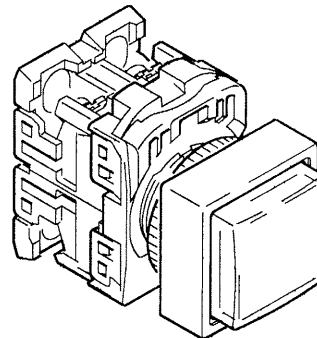
1. Select the illuminated pushbutton to be modified.
2. Remove the color button, unscrewing counterclockwise.
3. Screw the new color button onto the plunger, turning clockwise.



Replacing LED lamp

1. Insert the tip of tool AH9A790 onto the LED lamp.
2. Remove the LED lamp, turning the tool counterclockwise.
3. Place the new LED lamp into the lamp base, turning the tool clockwise.



AR22E0M**E5M/Alternate action**

Description	Type(Ordering code) <i>Fill in <input type="checkbox"/> <input type="checkbox"/> with color code</i>	Color code	Tool
Illuminated pushbutton switch	AR22E0M E5M		
Color button	AR9C014- <input type="checkbox"/>	Green G Red R Yellow Y Orange A Clear C Sky blue S*	Screwdriver
LED lamp (BA9S/13)	6V AC 48mA DH9L510-A ■ 6V DC 56mA DH9L510-6 ■ 12V AC/DC 34/28mA DH9L510-B ■ 24V AC/DC 18/14mA DH9L510-E ■	Yellow Y Red R Red/green W Amber A	AR9A004
Contact block	AR9B290 (1NO/Blue) AR9B291 (1NC/Red)		AH9A321

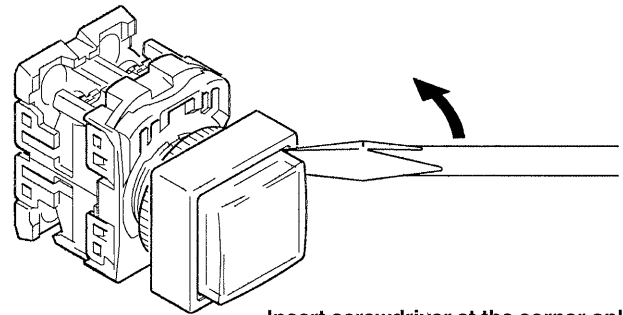
* Color button code **S (Sky blue)** for incandescent bulb only.

Combination of button color and LED lamp color

Luminous color (Type number code)	Color button <input type="checkbox"/>	LED lamp ■
Green G	Green G	Yellow Y
Red R	Red R	Red R
Yellow Y	Yellow Y	Yellow Y
Orange A	Orange A	Amber A
White W	Clear C	Red/Green W

Replacing color button

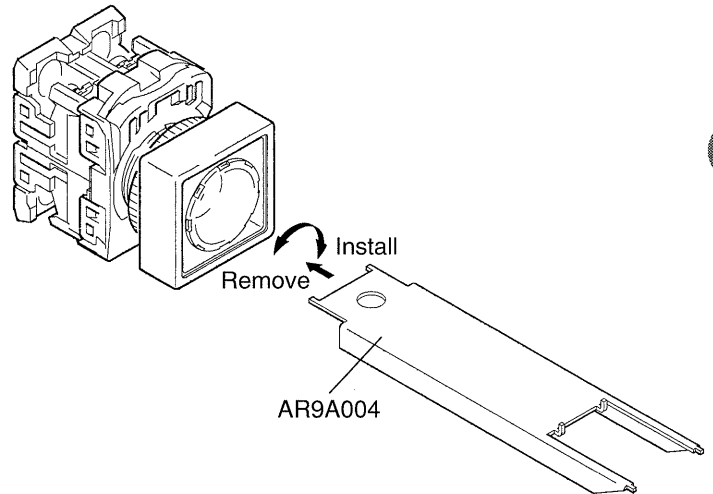
1. Select the illuminated pushbutton to be modified.
2. Insert the tip of a small screwdriver between the color button and the frame at one of four corners of color button.
3. Remove the color button, levering the screwdriver.
4. Remove the legend plate from the color button.
5. Put the legend plate into the color button.
6. Place the new color button into the frame, pressing until it clicks into place.



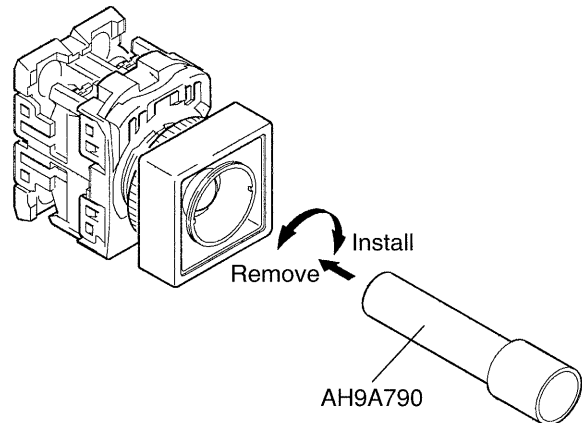
Insert screwdriver at the corner only. Otherwise the oil seal cap may be damaged.

Replacing LED lamp

1. If the oil seal cap remains on the plunger, insert the teeth of tool AR9A004 into the grooves of the oil seal cap.
2. Remove the oil seal cap unscrewing counterclockwise.



3. Insert the tip of tool AH9A790 onto the LED lamp.
4. Remove the LED lamp, turning the tool counterclockwise.
5. Place the new LED lamp into the lamp base, turning the tool clockwise.



3

AR22F0R

F5R/Alternate action
F0Y
F5Y/Alternate action

AR22S1R/With selector ring

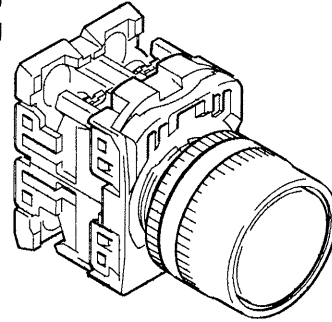
S2R/With selector ring
S3R/With selector ring
S6R/With selector ring

AR22E0R

E5R/Alternate action
E0Y
E5Y/Alternate action

AR22G3R

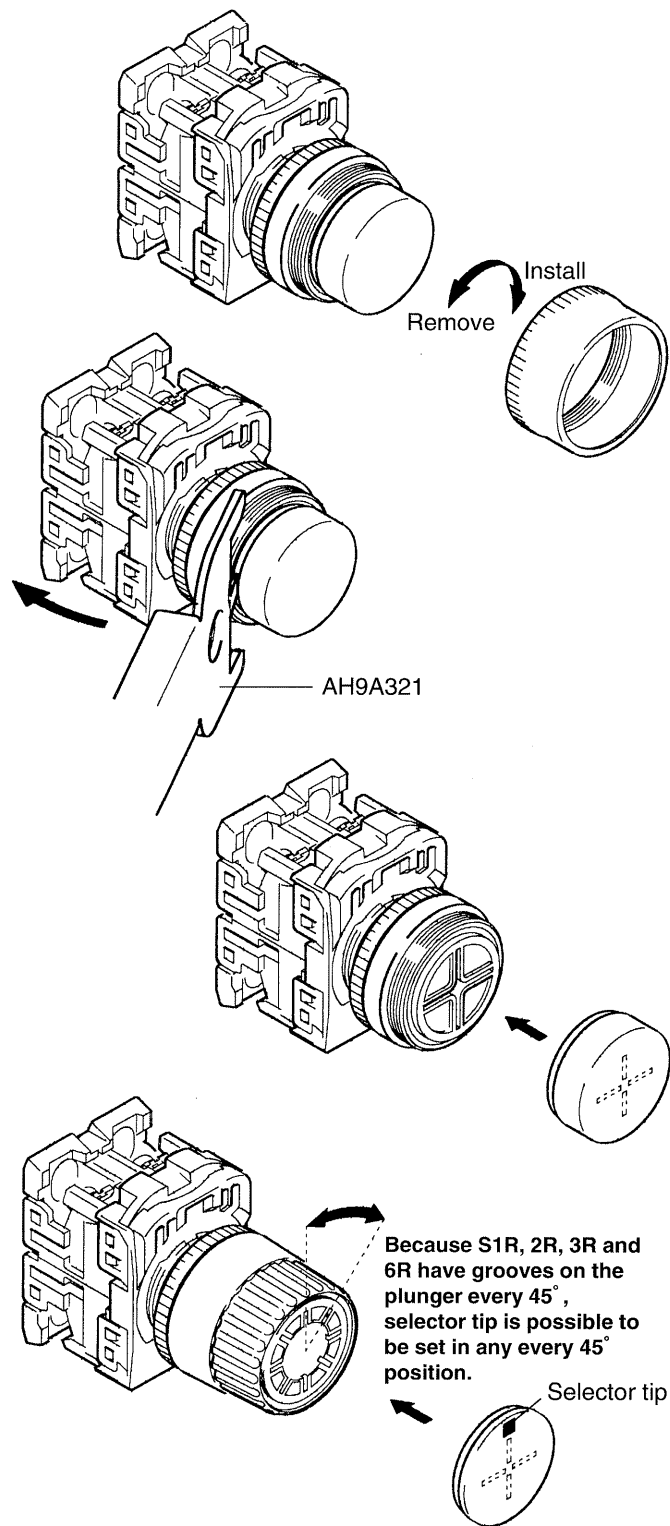
G8R/Alternate action



Description	Type(Ordering code) <i>Fill in <input type="checkbox"/> with color code</i>			Color code	Tool
Pushbutton switch	AR22F0R F5R F0Y F5Y	AR22S1R S2R S3R S6R	AR22E0R E5R E0Y E5Y G3R G8R		
Color button	AR9C001-<input type="checkbox"/>	AR9C002-<input type="checkbox"/>	AR9C003-<input type="checkbox"/>	Green Red Black Yellow Orange White Sky blue G R B Y A W S	AH9A321
Contact block	AR9B290(1NO/Blue) AR9B291(1NC/Red)				AH9A321

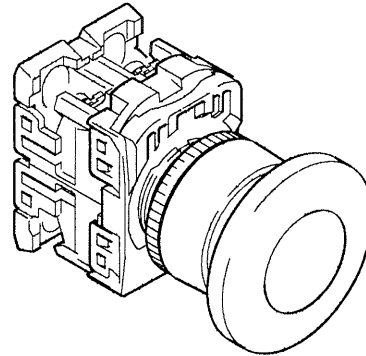
Replacing color button

1. Select the pushbutton to be modified.
2. For AR22G3R and G8R, remove the guard ring, unscrewing counterclockwise.
3. Insert the tip of tool AH9A321 into the slot between color button and frame. Remove the color button, levering the tool.
4. Place the new color button onto the plunger, fitting its cross projections to cross grooves of the plunger.
5. For AR22G3R and G8R, install the guard ring, screwing clockwise.



AR22M0R
M5R/Alternate action
M3R

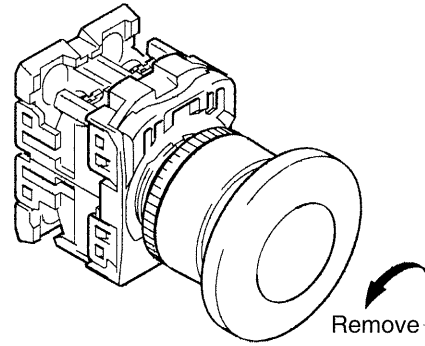
AR22M4R
M4Y



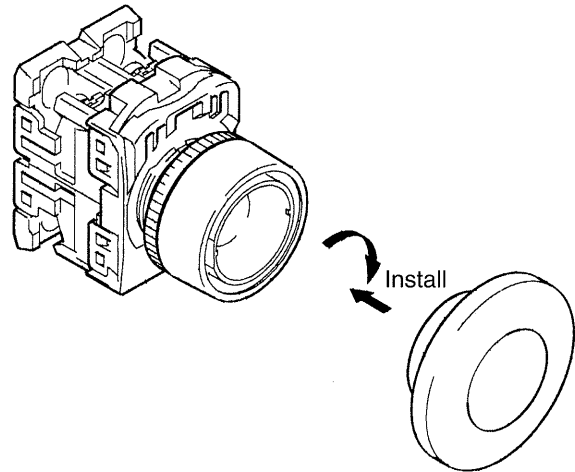
Description	Type(Ordering code) <i>Fill in <input type="checkbox"/> with color code</i>	Color code	Tool
Pushbutton switch	AR22M0R M5R M3R	AR22M4R M4Y	
Color button	AR9C007-<input type="checkbox"/>	AR9C006-<input type="checkbox"/>	Green G Red R Black B Yellow Y Orange A White W Sky blue S
Contact block	AR9B290 (1NO/Blue) AR9B291 (1NC/Red)		AH9A321

Replacing color button

1. Select the pushbutton to be modified.
2. Remove the color button, unscrewing counter-clockwise.

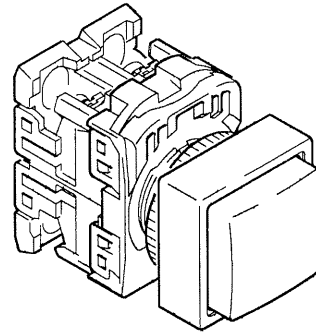


3. Place the new color button onto the plunger, screwing clockwise.



AR22F0S
F5S/Alternate action

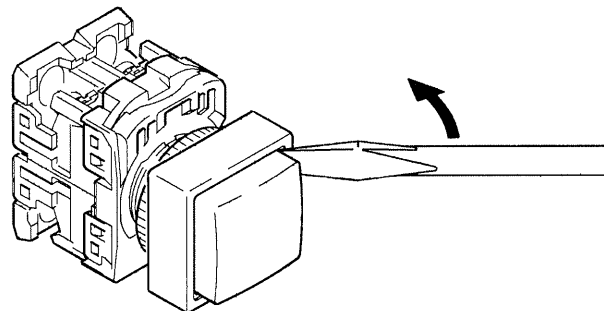
AR22E0S
E5S/Alternate action



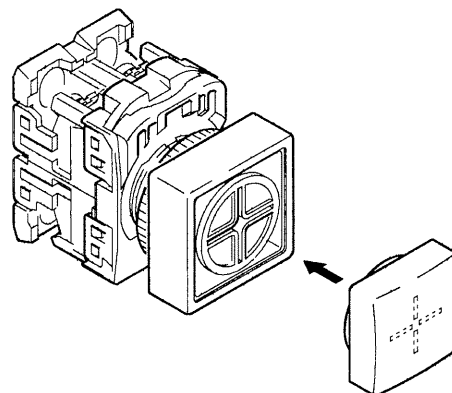
Description	Type(Ordering code) <i>Fill in <input type="checkbox"/> with color code</i>	Color code	Tool
Pushbutton switch	AR22F0S F5S	AR22E0S E5S	
Color button	AR9C004-<input type="checkbox"/>	AR9C005-<input type="checkbox"/>	Green G Red R Black B Yellow Y Orange A White W Sky blue S
Contact block	AR9B290 (1NO/Blue) AR9B291 (1NC/Red)		AH9A321

Replacing color button

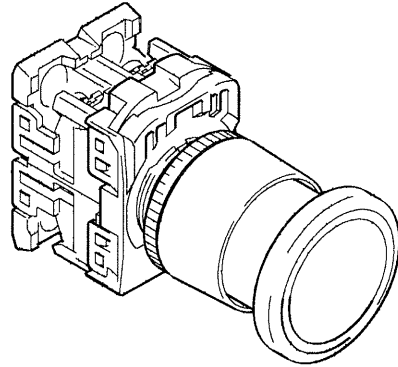
1. Select the pushbutton to be modified.
2. Insert the tip of a small screw driver between the color button and frame. Remove the color button, levering the screwdriver.



3. Put the new color button onto the plunger, fitting its cross injections to cross grooves of the plunger.



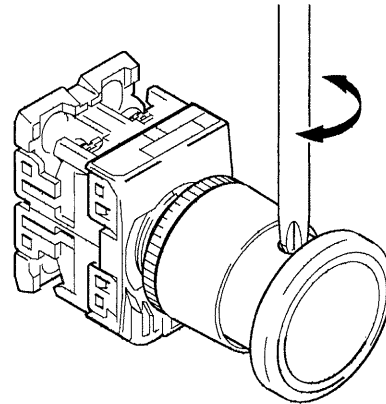
AR22Q2R



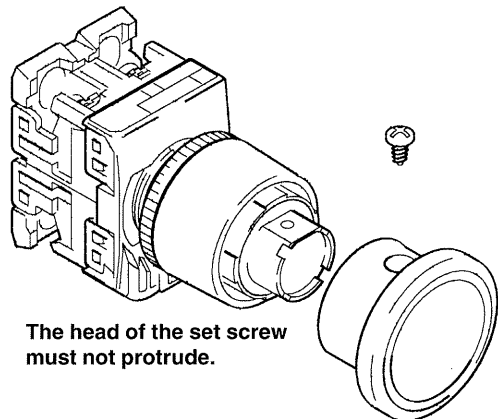
Description	Type(Ordering code) <i>Fill in <input type="checkbox"/> with color code</i>	Color code	Tool
Emergency stop pushbutton switch	AR22Q2R		
Color button	AR9C010-<input type="checkbox"/>	Green G Red R Black B Yellow Y Orange A White W Sky blue S	Screwdriver
Contact block	AR9B290 (1NO/Blue) AR9B291 (1NC/Red)		AH9A321

Replacing color button

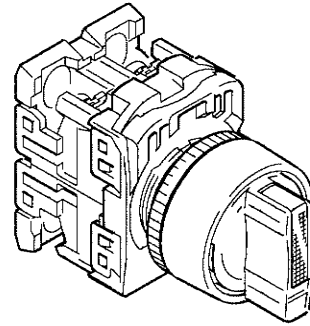
1. Select the pushbutton to be modified.
2. Loosen the set screw M3 × 6 by using a screwdriver and remove it from the plunger.



3. Pull the color button free from plunger.
4. Place the new color button on the plunger, aligning the set screw holes.
5. Reinstall the set screw M3 × 6 and tighten.



AR22PL
PP



Description	Type(Ordering code) <i>Fill in <input type="checkbox"/> <input checked="" type="checkbox"/> with color code</i>	Color code	Tool
Illuminated selector switch	AR22PL PP		
Color knob	AR9M005- <input type="checkbox"/>	Green G Red R Yellow Y Orange A White W Sky blue S*	Screwdriver
LED lamp (BA9S/13)	6V AC 48mA DH9L510-A ■ 6V DC 56mA DH9L510-6 ■ 12V AC/DC 34/28mA DH9L510-B ■ 24V AC/DC 18/14mA DH9L510-E ■	Yellow Y Red R Red/green W Amber A	AH9A790
Contact block	AR9B290 (1NO/Blue) AR9B291 (1NC/Red)		AH9A321

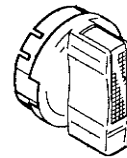
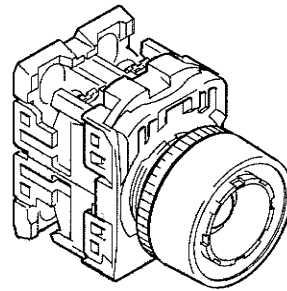
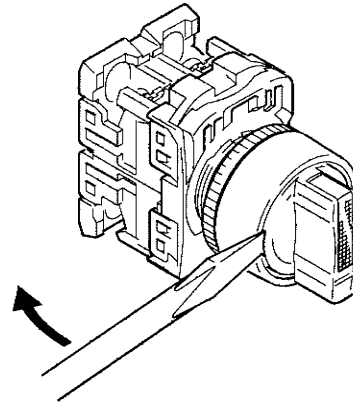
* Color knob code **S (Sky blue)** for incandescent bulb only.

Combination of knob color and LED lamp color

Luminous color (Type number code)	Color knob <input type="checkbox"/>	LED lamp <input checked="" type="checkbox"/>
Green G	Green G	Yellow Y
Red R	Red R	Red R
Yellow Y	Yellow Y	Yellow Y
Orange A	Orange A	Amber A
White W	White W	Red/Green W

Replacing color knob

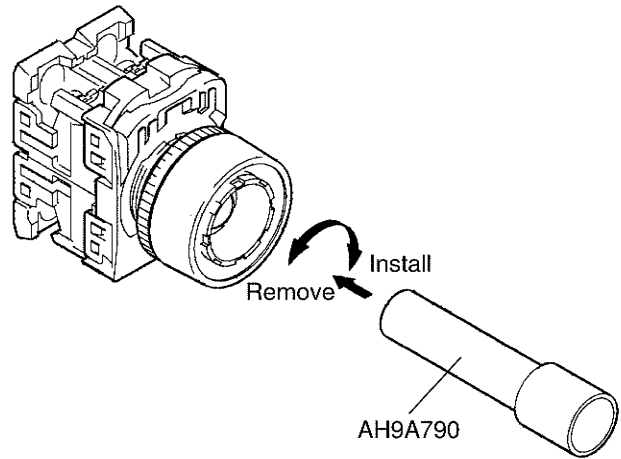
1. Select the selector switch to be modified.
2. Insert the tip of a small screwdriver into the slot between color knob and frame at one of two cutting of color knob.
3. Using leverage, remove the color knob.
4. Replace the new color knob onto the plunger, pressing until it fits into place.



Because the plunger has fitting grooves every 45°, the knob is possible to be set in any position every 45°.

Replacing LED lamp

1. Insert the tip of tool AH9A790 onto the LED lamp.
2. Remove the LED lamp, turning the tool counterclockwise.
3. Place the new LED lamp into the lamp base, turning the tool clockwise.

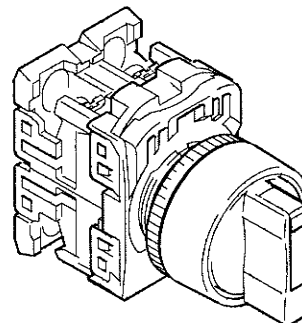


AR22PR
PCR/Control type
PY
PCY/Control type

AR22RY
RCY/Control type

AR22WR
WCR/Control type
WY
WCY/Control type

AR22RR
RCR/Control type

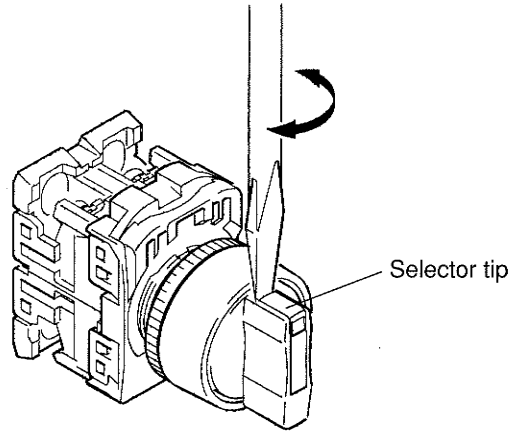


Description	Type(Ordering code) <i>Fill in <input type="checkbox"/> with color code</i>			Color code	Tool
Selector switch	AR22PR PY	AR22WR WY	AR22RR RY		
Color knob (lever)	AR9M006-<input type="checkbox"/>	AR9M007-<input type="checkbox"/>	AR9M008-<input type="checkbox"/>	Black Green Red B G R	Screwdriver
Contact block	AR9B290 (1NO/Blue) AR9B291 (1NC/Red)				AH9A321

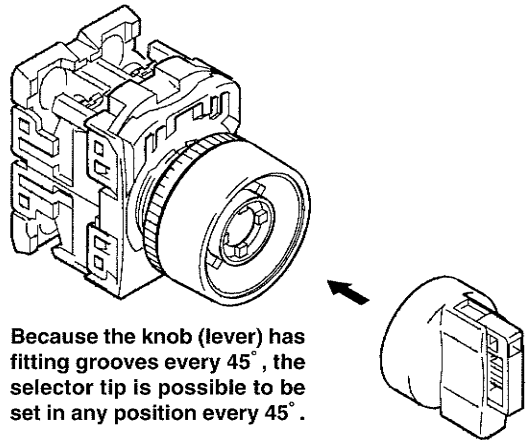
Description	Type(Ordering code) <i>Fill in <input type="checkbox"/> with color code</i>			Color code	Tool
Selector switch Control type	AR22PCR PCY	AR22WCR WCY	AR22RCR RCY		
Color knob (lever)	AR9M006-<input type="checkbox"/>	AR9M007-<input type="checkbox"/>	AR9M008-<input type="checkbox"/>	Black Green Red B G R	Screwdriver
Contact block	Not available				

Replacing color knob (lever)

1. Select the selector switch to be modified.
2. Insert the tip of a small driver into the slot between selector tip and selector knob (lever).
3. Lift the tip up by turning the screwdriver.

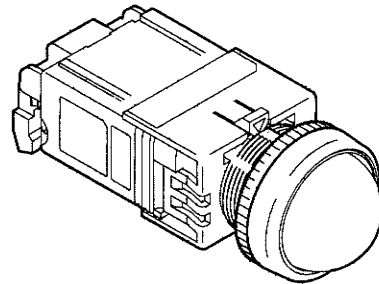


4. Pull the selector knob (lever) free from the plunger.
5. Lift the tip of the new selector knob (lever).
6. Put the selector knob (lever) onto the plunger and press the tip down until it clicks into place.



Because the knob (lever) has fitting grooves every 45°, the selector tip is possible to be set in any position every 45°.

DR22D0L



Description	Type(Ordering code) <i>Fill in <input type="checkbox"/> <input checked="" type="checkbox"/> with color code</i>	Color code	Tool
Pilot light	DR22D0L		
Color lens	DR9C001-<input type="checkbox"/>	Green Red Yellow Orange White Sky blue	AH9A702 G R Y A W S*
LED lamp (BA9S/13)	6V AC 48mA DH9L510-A ■ 6V DC 56mA DH9L510-6 ■ 12V AC/DC 34/28mA DH9L510-B ■ 24V AC/DC 18/14mA DH9L510-E ■	Yellow Red Red/green Amber	AH9A790 Y R W A

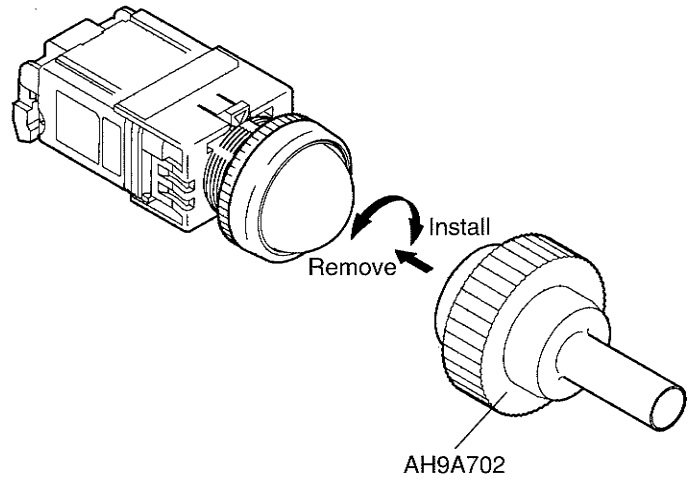
* Color lens code **S (Sky blue)** for incandescent bulb only.

Combination of color lens and LED lamp color

Luminous color (Type number code)	Color lens <input type="checkbox"/>	LED lamp <input checked="" type="checkbox"/>
Green G	Green G	Yellow Y
Red R	Red R	Red R
Yellow Y	Yellow Y	Yellow Y
Orange A	Orange A	Amber A
White W	White W	Red/Green W

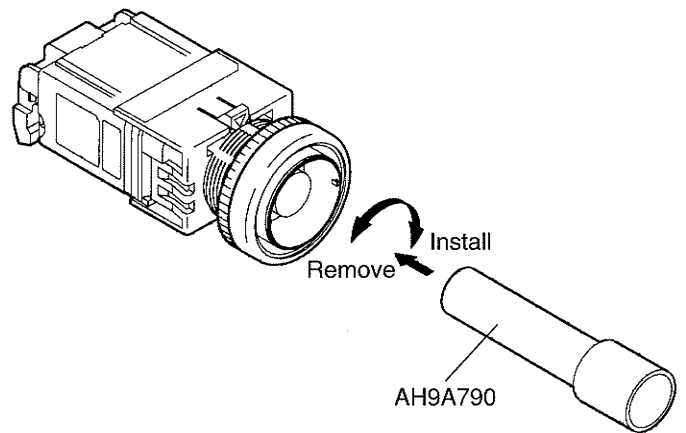
Replacing color lens

1. Select the pilot light to be modified.
2. Remove the color domed lens unscrewing counterclockwise using the tool AH9A702.
3. Replace the new color domed lens by screwing clockwise.

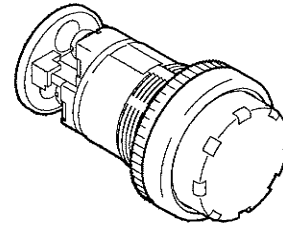


Replacing LED lamp

1. Insert the tip of tool AH9A790 onto the LED lamp.
2. Remove the LED lamp, turning the tool counterclockwise.
3. Place the new LED lamp into the lamp base, turning the tool clockwise.



**DR22E3L
E3P**



Description	Type(Ordering code) <i>Fill in <input type="checkbox"/> <input checked="" type="checkbox"/> with color code</i>	Color code	Tool
Pilot light	DR22E3L E3P		
Color lens	AR9C012-<input type="checkbox"/>	Green G Red R Yellow Y Orange A Clear C Sky blue S*	AR9A004
LED lamp (BA9S/13)	6V AC 48mA DH9L510-A ■ 6V DC 56mA DH9L510-6 ■ 12V AC/DC 34/28mA DH9L510-B ■ 24V AC/DC 18/14mA DH9L510-E ■	Yellow Y Red R Red/green W Amber A	AH9A790

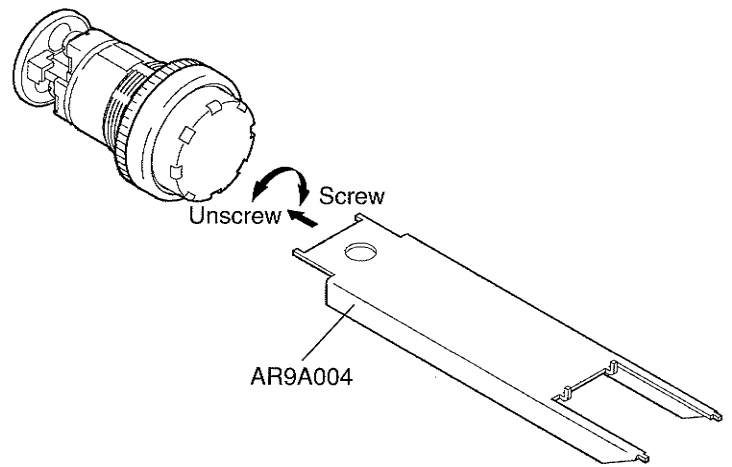
* Color lens code **S (Sky blue)** for incandescent bulb only.

Combination of color lens and LED lamp color

Luminous color (Type number code)	Color lens <input type="checkbox"/>	LED lamp <input checked="" type="checkbox"/>
Green G	Green G	Yellow Y
Red R	Red R	Red R
Yellow Y	Yellow Y	Yellow Y
Orange A	Orange A	Amber A
White W	Clear C	Red/Green W

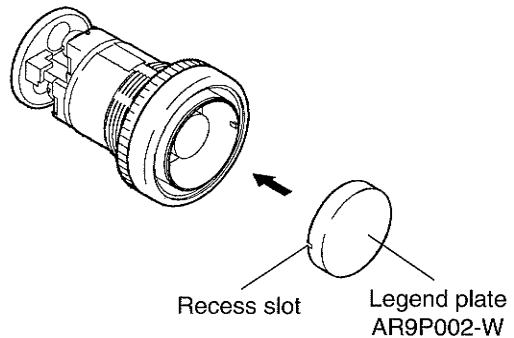
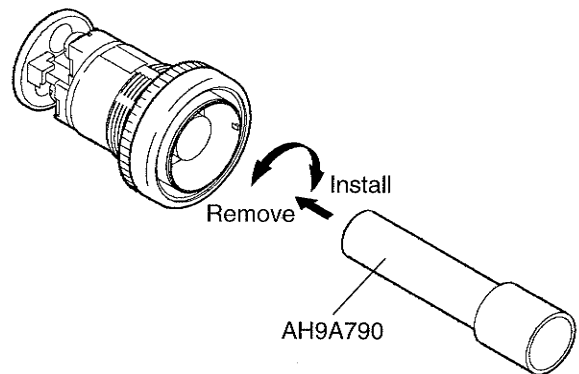
Replacing color lens

1. Select the pilot light to be modified.
2. Insert the teeth of tool AR9A004 into the groves of color button.
3. Remove the color lens by unscrewing counterclockwise.
4. Replace the new color lens by screwing clockwise.

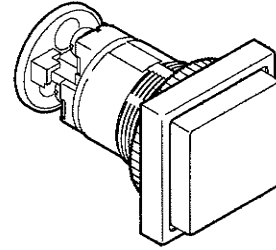


Replacing LED lamp

1. Remove the legend plate AR9P002-W from the plunger.
2. Insert the tip of tool AH9A790 onto the LED lamp.
3. Remove the LED lamp, turning the tool counterclockwise.
4. Place the new LED lamp into the lamp base, turning the tool clockwise.
5. Place the legend plate onto the plunger, fitting its two of four recess slots to two projections of the plunger.



**DR22F3M
E3M**



Description	Type(Ordering code) <i>Fill in <input type="checkbox"/> <input checked="" type="checkbox"/> with color code</i>		Color code	Tool
Pilot light	DR22F3M	DR22E3M		
Color lens	DR9C126-<input type="checkbox"/>	AR9C014-<input type="checkbox"/>	Green G Red R Yellow Y Orange A Clear C Sky blue S*	Screwdriver
LED lamp (BA9S/13)	6V AC 48mA 6V DC 56mA 12V AC/DC 34/28mA 24V AC/DC 18/14mA	DH9L510-A ■ DH9L510-6 ■ DH9L510-B ■ DH9L510-E ■	Yellow Y Red R Red/green W Amber A	AH9A790

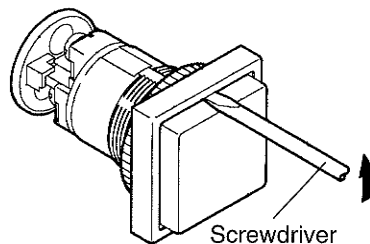
* Color lens code **S (Sky blue)** for incandescent bulb only.

Combination of color lens and LED lamp color

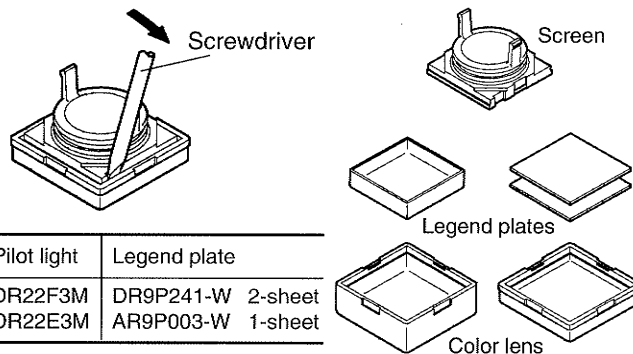
Luminous color (Type number code)	Color lens <input type="checkbox"/>	LED lamp <input checked="" type="checkbox"/>
Green G	Green G	Yellow Y
Red R	Red R	Red R
Yellow Y	Yellow Y	Yellow Y
Orange A	Orange A	Amber A
White W	Clear C	Red/Green W

Replacing color lens

1. Select the pilots light to be modified.
2. Insert the tip of a screwdriver into the slot between the color lens and the frame at one of four recess slots of the color lens.



3. Using leverage, remove the color lens.
4. The color lens with screen will be removed.
5. Put the legend plate(s) into the new color lens.
6. Fasten the screen into the color lens, pressing until it clicks into place.
7. Replace the color lens into the frame, pressing it fits into place.



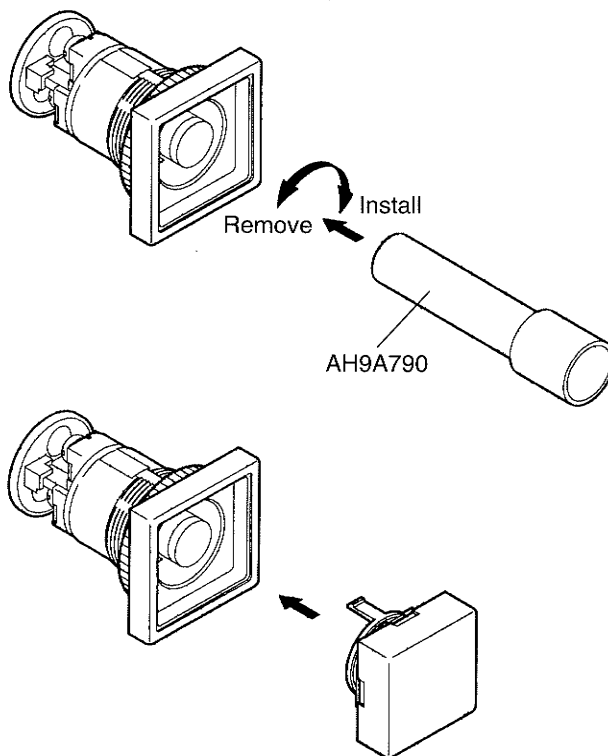
Pilot light	Legend plate
DR22F3M	DR9P241-W 2-sheet
DR22E3M	AR9P003-W 1-sheet

Textured surface of legend plate(s) should be facing forward.

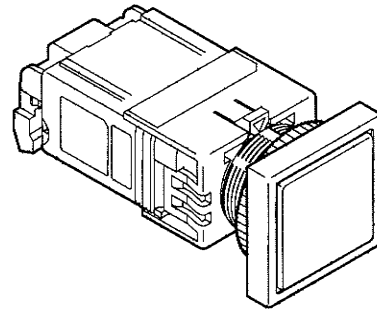
DR22E3M DR22F3M

Replacing LED lamp

1. Insert the tip of tool AH9A790 onto the LED lamp.
2. Remove the LED lamp, turning the tool counterclockwise.
3. Place the new LED lamp into the lamp base, turning the tool clockwise.



DR22F4M



Description	Type(Ordering code) <i>Fill in <input type="checkbox"/> <input checked="" type="checkbox"/> with color code</i>	Color code	Tool
Pilot light	DR22F4M		
Color lens	DR9C126-C	Clear C	Screwdriver
Color plate	DR9P241-<input type="checkbox"/>	Green G Red R Yellow Y Orange A White W Sky blue S*	
LED lamp (BA9S/13)	6V AC 48mA DH9L510-A ■ 6V DC 56mA DH9L510-6 ■ 12V AC/DC 34/28mA DH9L510-B ■ 24V AC/DC 18/14mA DH9L510-E ■	Yellow Y Red R Orange O	AH9A790

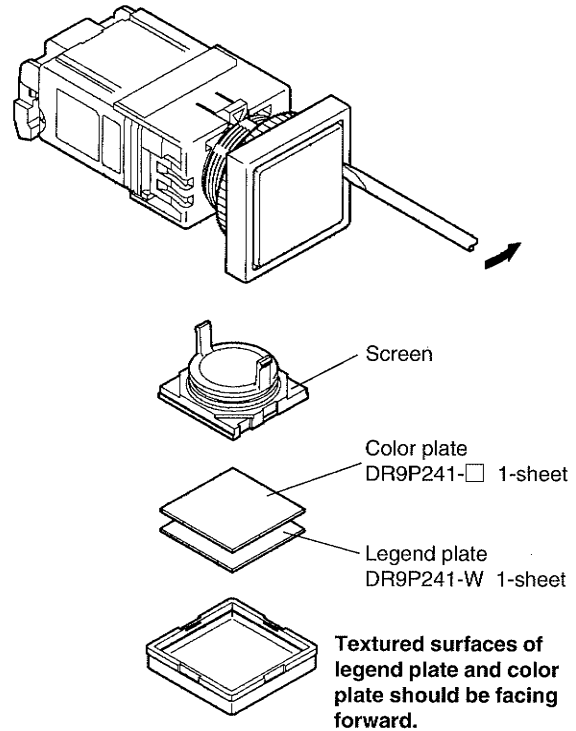
* Color lens code **S (Sky blue)** for incandescent bulb only.

Combination of color lens and LED lamp color

Luminous color (Type number code)	Color lens <input type="checkbox"/>	LED lamp <input checked="" type="checkbox"/>
Green G	Green G	Yellow Y
Red R	Red R	Red R
Yellow Y	Yellow Y	Yellow Y
Orange A	Orange A	Orange O
White W	White W	Orange O

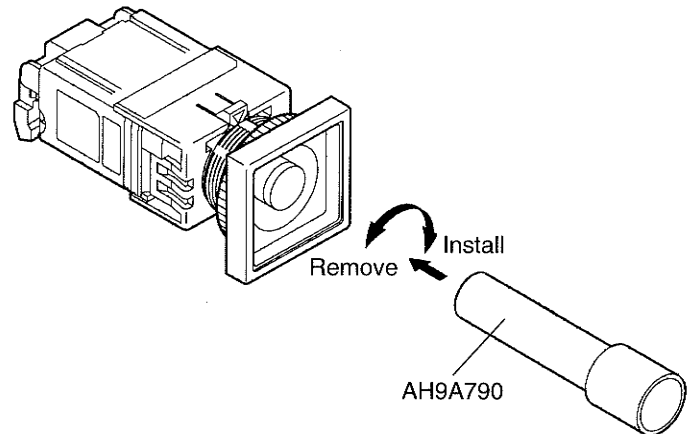
Replacing color lens

1. Select the pilot light to be modified.
2. Insert the tip of a screwdriver into the slot between the color lens and frame at one of four recess slots of the color lens.
3. Using leverage, remove the color lens.
4. The color lens with screen will be removed.
5. Separate the screen from the color lens, levering the screwdriver.
6. Put the legend plate and color plate into the new color lens then fasten the screen until it clicks into place.
7. Replace the new color lens with screen into the frame.



Replacing LED lamp

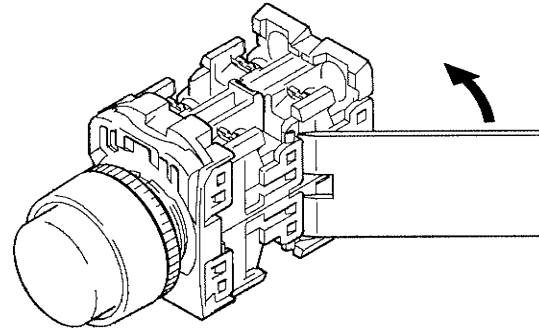
1. Insert the tip of tool AH9A790 onto the LED lamp.
2. Remove the LED lamp, turning the tool counterclockwise.
3. Place the new LED lamp into the lamp base, turning the tool clockwise.



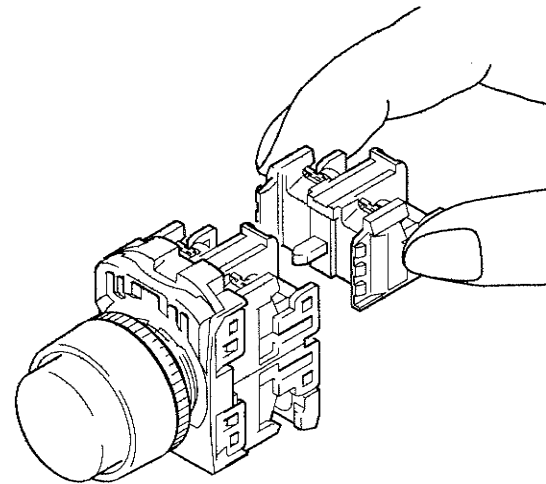
AR22E0L, E0M, E0P, E0S, E0R, E0Y
 AR22E5L, E5M, E5P, E5S, E5R, E5Y
 AR22F0L, F0P, F0R, F0S, F0Y
 AR22F5L, F5P, F5R, F5S, F5Y
 AR22G4L, G9L
 AR22G3R, G8R
 AR22M0L, M0R
 AR22M3R
 AR22M4L, M4P, M4R, M4Y

AR22M5L, M5R
 AR22S1R, S2R, S3R, S6R
 AR22Q2R
 AR22PR, WR, RR, JR
 AR22PY, WY, RY, JY
 AR22PL, PP
 AR22V2L, VAL
 AR22V2R, V4R

1. Select the illuminated pushbutton, pushbutton or selector switch to be modified.
2. To detach contact block(s) with terminal cover, use tool AH9A321 to open mounting legs slightly, and remove the contact block with terminal cover.



3. Additional contact block(s) without terminal cover can be snap-fitted into the operator base. Push the contact block straight into the mounting legs of the operator base or those of contact block which has been mounted into the operator base until they click into place.
4. Complete the contact block arrangement to mount contact block(s) with terminal cover finally.

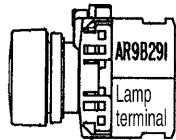


- When adding more than two contact blocks, align the slots on the both sides and make sure that the contact blocks facing each other are not open.
- To handle contact block with terminal cover, don't separate each of them. Because the terminal cover is designed not easy to separate from the contact block.

Illuminated pushbutton switches, without transformer
AR22F0L, E0L, G4L, AR22M0L, M4L, AR22F0P, E0P, M4P, AR22E0M

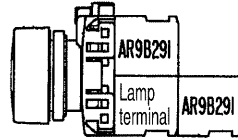
Ordering code of contact arrangements

01 1NC

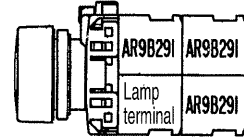


Name plate

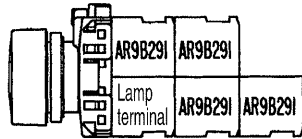
02 2NC



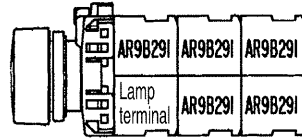
03 3NC



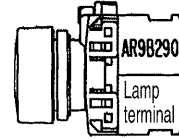
04 4NC



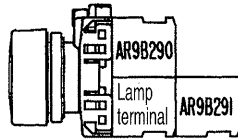
05 5NC



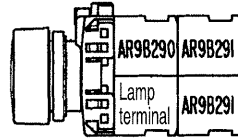
10 1NO



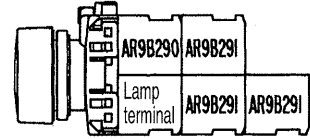
11 1NO • 1NC



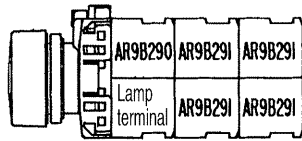
12 1NO • 2NC



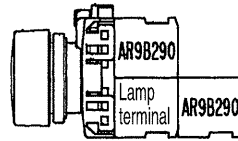
13 1NO • 3NC



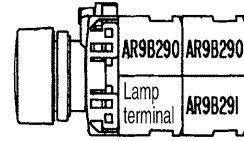
14 1NO • 4NC



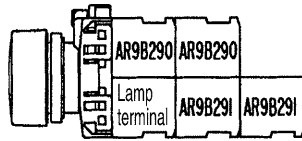
20 2NO



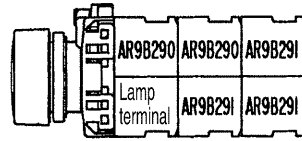
21 2NO • 1NC



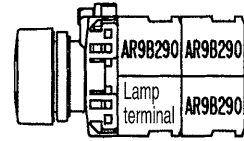
22 2NO • 2NC



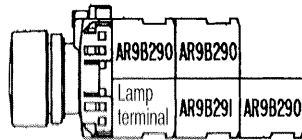
23 2NO • 3NC



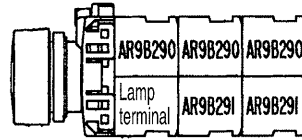
30 3NO



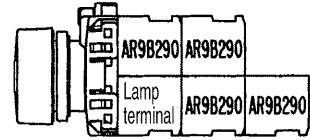
31 3NO • 1NC



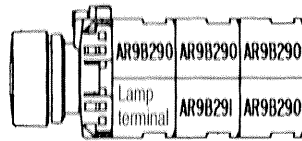
32 3NO • 2NC



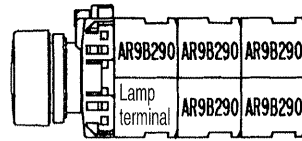
40 4NO



41 4NO • 1NC



50 5NO

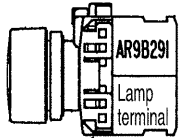


Illuminated pushbutton switches, without transformer

AR22F5L, E5L, G9L, AR22M5L, AR22F5P, E5P, AR22E5M, AR22V2L, VAL

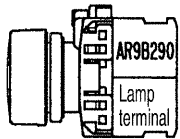
Ordering code of contact arrangements

01 1NC

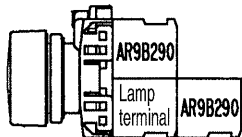


Name plate

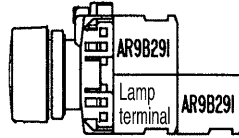
10 1NO



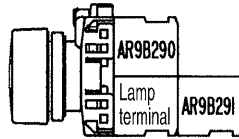
20 2NO



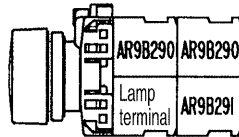
02 2NC



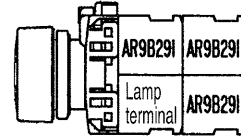
11 1NO • 1NC



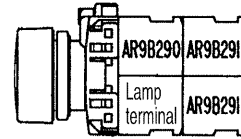
21 2NO • 1NC



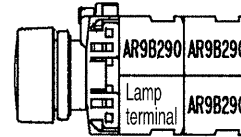
03 3NC



12 1NO • 2NC



30 3NO

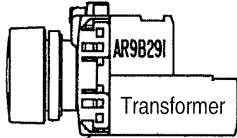


Illuminated pushbutton switches, with transformer

AR22F0L, E0L, G4L, AR22M0L, M4L, AR22F0P, E0P, M4P, AR22E0M

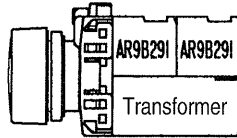
Ordering code of contact arrangements

01 1NC

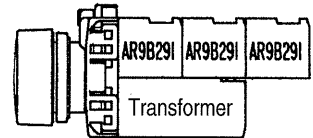


Name plate

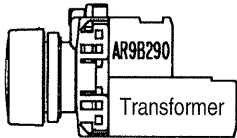
02 2NC



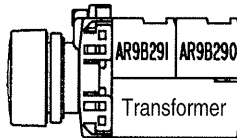
03 3NC



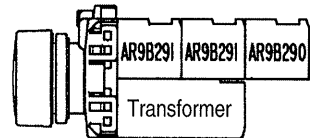
10 1NO



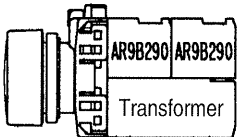
11 1NO • 1NC



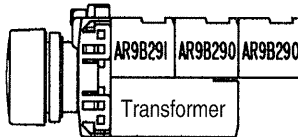
12 1NO • 2NC



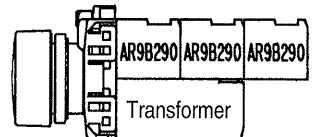
20 2NO



21 2NO • 1NC



30 3NO

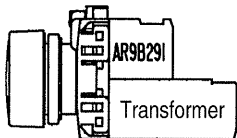


Illuminated pushbutton switches, with transformer

AR22F5L, E5L, G9L, AR22M5L, AR22F5P, E5P, AR22E5M, AR22V2L, VAL

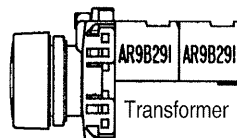
Ordering code of contact arrangements

01 1NC

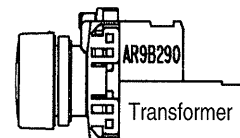


Name plate

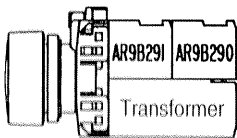
02 2NC



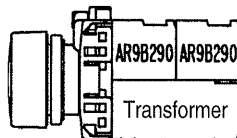
10 1NO



11 1NO • 1NC



20 2NO

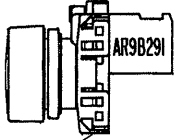


Pushbutton switches

AR22F0R, E0R, AR22G3R, AR22M0R, M3R, M4R, AR22F0Y, E0Y, M4Y, AR22F0S, E0S

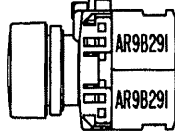
Ordering code of contact arrangements

01 1NC

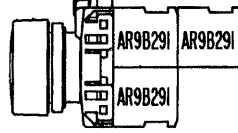


Name plate

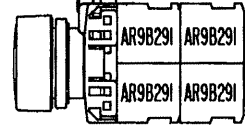
02 2NC



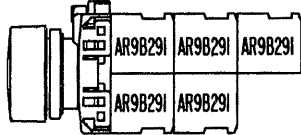
03 3NC



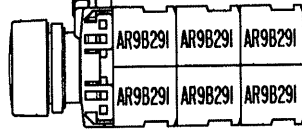
04 4NC



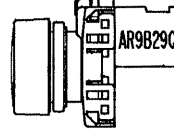
05 5NC



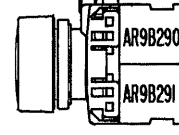
06 6NC



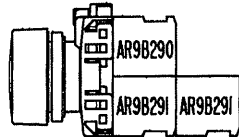
10 1NO



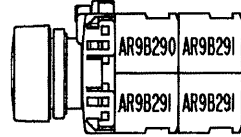
11 1NO • 1NC



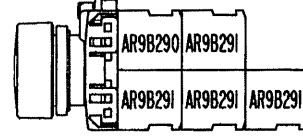
12 1NO • 2NC



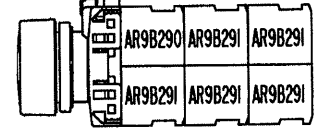
13 1NO • 3NC



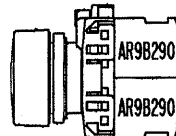
14 1NO • 4NC



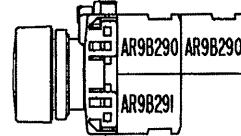
15 1NO • 5NC



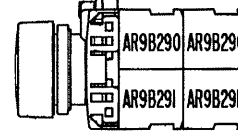
20 2NO



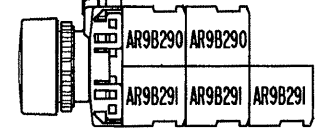
21 2NO • 1NC



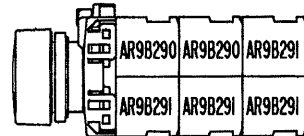
22 2NO • 2NC



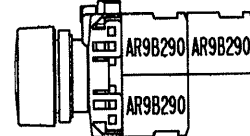
23 2NO • 3NC



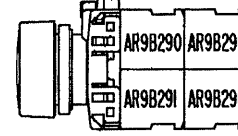
24 2NO • 4NC



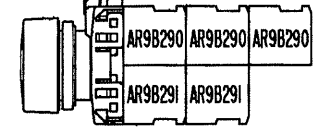
30 3NO



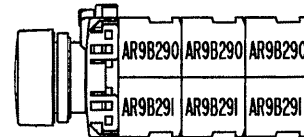
31 3NO • 1NC



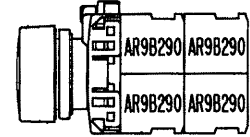
32 3NO • 2NC



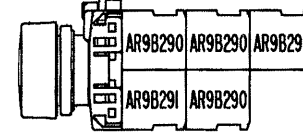
33 3NO • 3NC



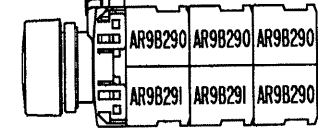
40 4NO



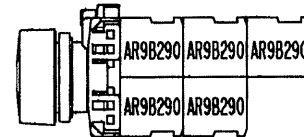
41 4NO • 1NC



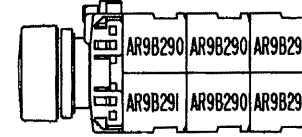
42 4NO • 2NC



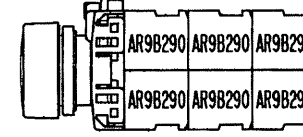
50 5NO



51 5NO • 1NC



60 6NO

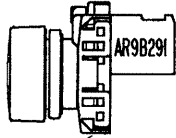


Pushbutton switches

AR22F5R, E5R, AR22G8R, AR22M5R, AR22F5Y, E5Y, AR22F5S, E5S, AR22V2R, V4R

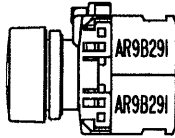
Ordering code of contact arrangements

01 1NC

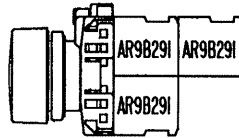


Name plate

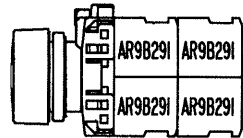
02 2NC



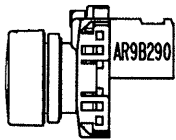
03 3NC



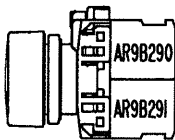
04 4NC



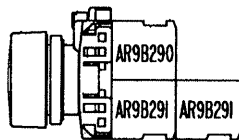
10 1NO



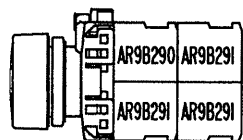
11 1NO • 1NC



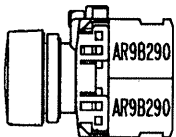
12 1NO • 2NC



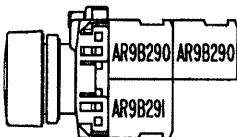
13 1NO • 3NC



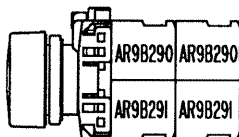
20 2NO



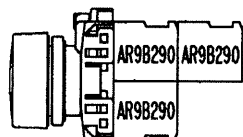
21 2NO • 1NC



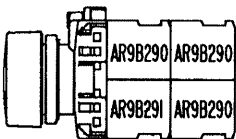
22 2NO • 2NC



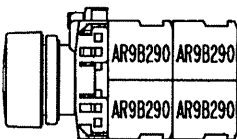
30 3NO



31 3NO • 1NC



40 4NO

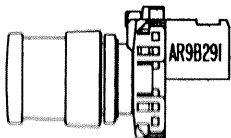


Emergency stop pushbutton switch

AR22Q2R

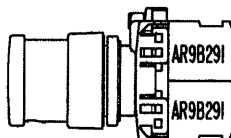
Ordering code of contact arrangements

01 1NC

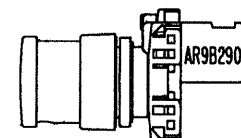


Name plate

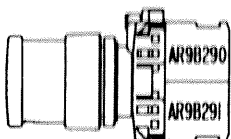
02 2NC



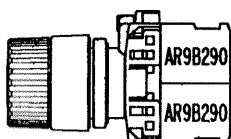
10 1NO



11 1NO • 1NC



20 2NO

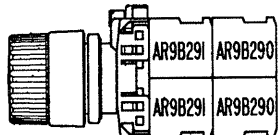


Pushbutton switches, with selector rings
AR22S1R, S2R, S3R, S6R

Selector switches, spring return
AR22PR-1, WR-1, RR-1, JR-1, PY-1, WY-1, RY-1, JY-1

Ordering code of contact arrangements

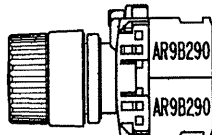
22 2NO • 2NC



Name plate

S2R only

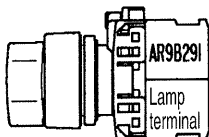
20 2NO



Illuminated selector switches, maintained, without transformer
AR22PL-2, PL-3, AR22PP-2, PP-3

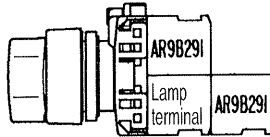
Ordering code of contact arrangements

01 1NC

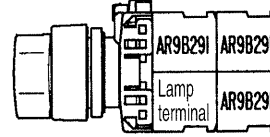


Name plate

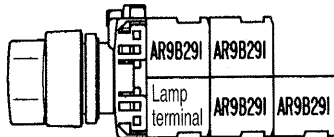
02 2NC



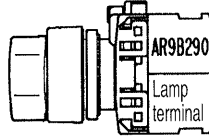
03 3NC



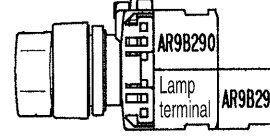
04 4NC



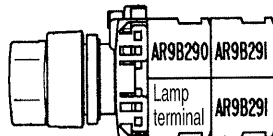
10 1NO



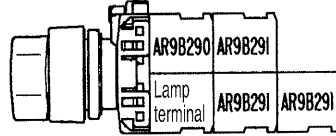
11 1NO • 1NC



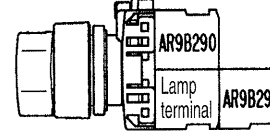
12 1NO • 2NC



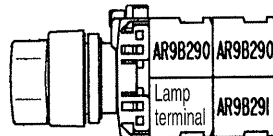
13 1NO • 3NC



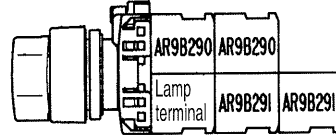
20 2NO



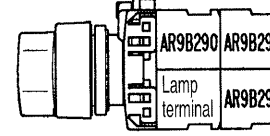
21 2NO • 1NC



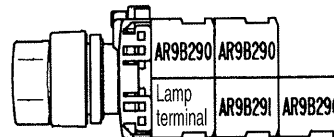
22 2NO • 2NC



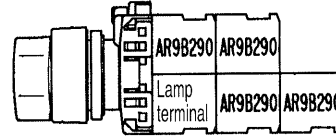
30 3NO



31 3NO • 1NC



40 4NO



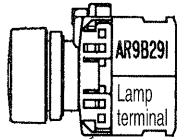
Illuminated selector switches, spring return, without transformer

AR22PL-0, AR22PP-0

Illuminated selector switches, spring/manual return, without transformer AH22PL-6, PL-7, AR22PP-6, PP-7

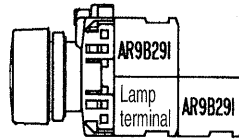
Ordering code of contact arrangements

01 1NC

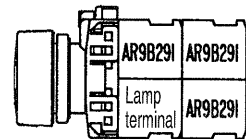


Name plate

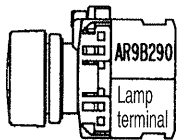
02 2NC



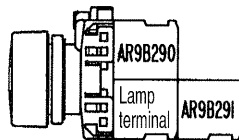
03 3NC



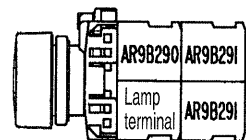
10 1NO



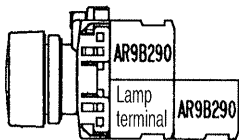
11 1NO • 1NC



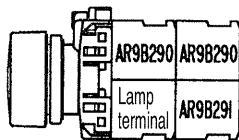
12 1NO • 2NC



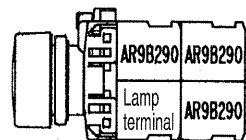
20 2NO



21 2NO • 1NC



30 3NO

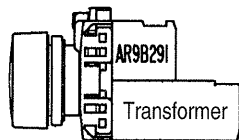


Illuminated selector switches, maintained, with transformer

AR22PL-2, PL-3, AR22PP-2, PP-3

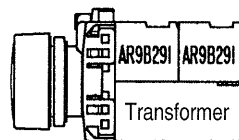
Ordering code of contact arrangements

01 1NC

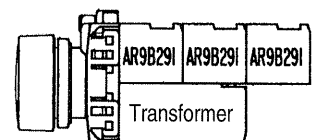


Name plate

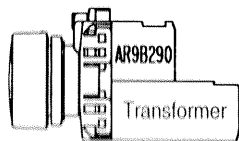
02 2NC



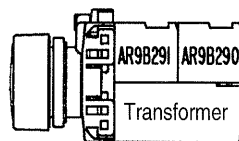
03 3NC



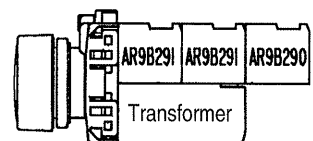
10 1NO



11 1NO • 1NC



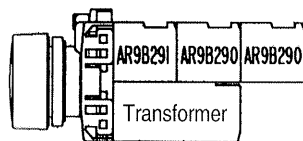
12 1NO • 2NC



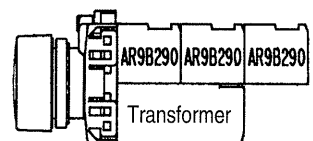
20 2NO



21 2NO • 1NC



30 3NO

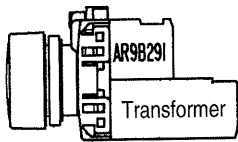


Illuminated selector switches, spring return, with transformer
 Illuminated selector switches, spring/manual return, with transformer

AR22PL-0, AR22PP-0
 AH22PL-6, PL-7, AR22PP-6, PP-7

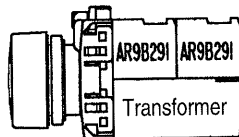
Ordering code of contact arrangements

01 1NC

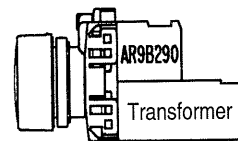


Name plate

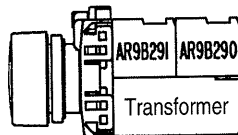
02 2NC



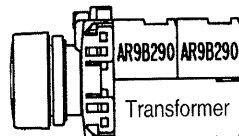
10 1NO



11 1NO • 1NC



20 2NO

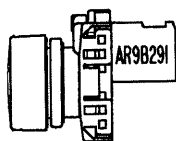


Selector switches, maintained
 AR22PR-2, PR-3, WR-2, WR-3, RR-2, RR-3
 AR22JR-2, JR-3
 AR22PY-2, PY-3, WY-2, WY-3, RY-2, RY-3
 AR22JY-2, JY-3

Selector switches, spring return
 AR22PR-0, WR-0, RR-0, JR-0, PY-0, WY-0, RY-0, JY-0
 Selector switches, spring/manual return
 AR22PR-6, PR-7, WR-6, WR-7, RR-6, RR-7, JR-6, JR-7
 AR22PY-6, PY-7, WY-6, WY-7, RY-6, RY-7, JY-6, JY-7

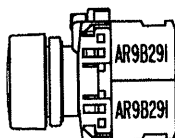
Ordering code of contact arrangements

01 1NC

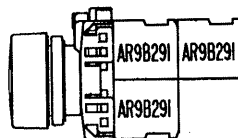


Name plate

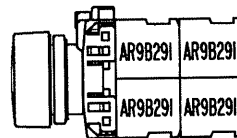
02 2NC



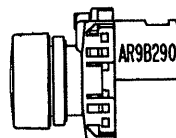
03 3NC



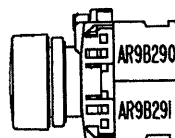
04 4NC



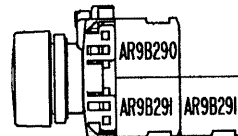
10 1NO



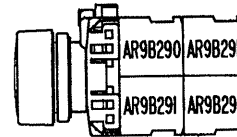
11 1NO • 1NC



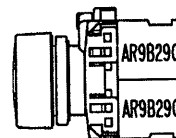
12 1NO • 2NC



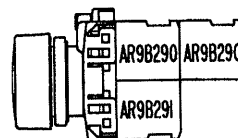
13 1NO • 3NC



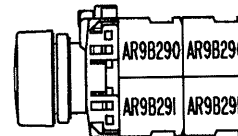
20 2NO



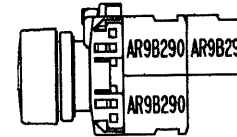
21 2NO • 1NC



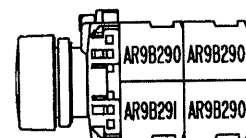
22 2NO • 2NC



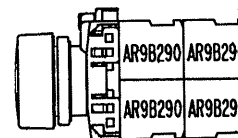
30 3NO



31 3NO • 1NC



40 4NO



Fuji Electric Co.,Ltd.

ED & C and Drive Systems Group

12-1 Yurakucho 1-chome, Chiyoda-ku, Tokyo, 100 Japan

ED & C: Phone 3-3211-1424 Fax 3-3211-7983

Telex: J22331 FUJIELE A or FUJIELE B

Fuji Electric Corp. of America

Park 80 West Plaza II

Saddle Brook, NJ 07663, U.S.A.

Phone: 201-712-0555

Fax: 201-368-8258

Printed on recycled paper